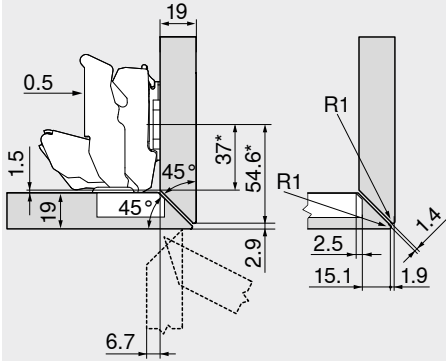
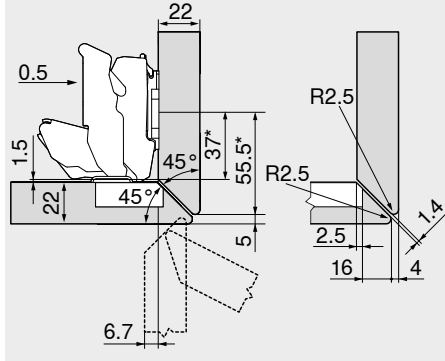
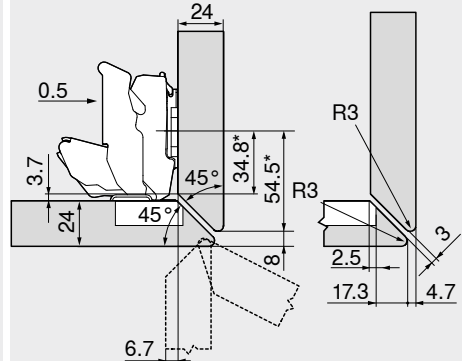


155° hinge

 Web code
DQDHEM
Planning
Special application
Mitred application – all 4 edges

19 mm

22 mm

24 mm

Hinge for dual applications
Standard mounting plates with 0 mm spacing

* Dimension for mounting plate with dimension A = 37 mm

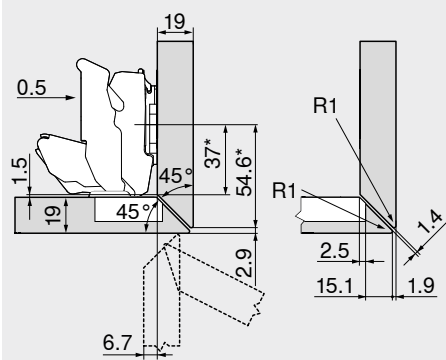
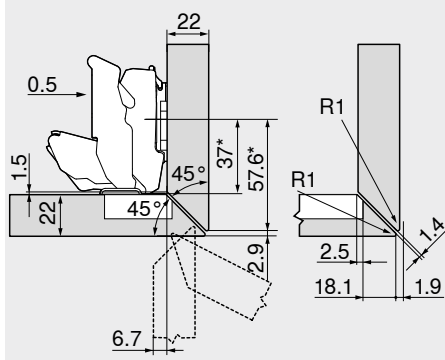
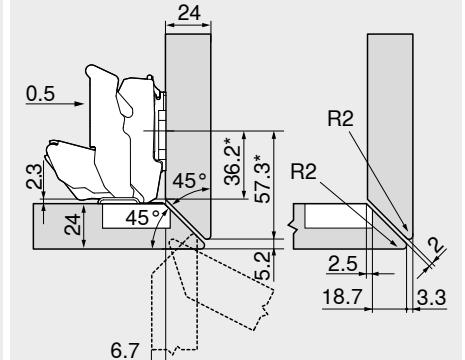
Hinge for dual applications
Standard mounting plates with 0 mm spacing

* Dimension for mounting plate with dimension A = 37 mm

Hinge for dual applications
Standard mounting plates with 0 mm spacing

* Dimension for mounting plate with dimension A = 37 mm

Mitred application – side

19 mm

22 mm

24 mm

Hinge for dual applications
Standard mounting plates with 0 mm spacing

* Dimension for mounting plate with dimension A = 37 mm

Hinge for dual applications
Standard mounting plates with 0 mm spacing

* Dimension for mounting plate with dimension A = 37 mm

Hinge for dual applications
Standard mounting plates with 0 mm spacing

* Dimension for mounting plate with dimension A = 37 mm