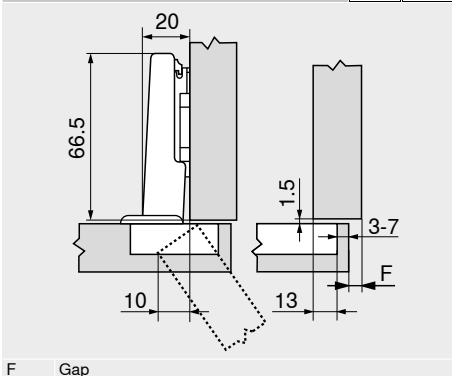


**110° special hinge** Web code  
DQDFAM

**Planning**  
**Hinge dimensions and gap calculation based on factory setting (mounting plate spacing = 0 mm)**  
 Hinge and front protrusion at full opening angle

**Overlay application**



**Drilling distance TB**

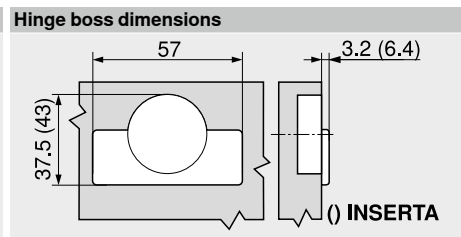
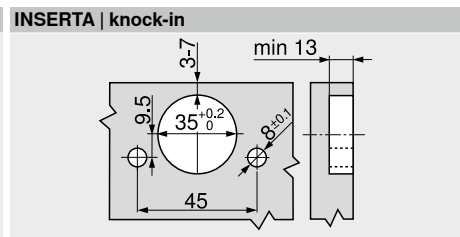
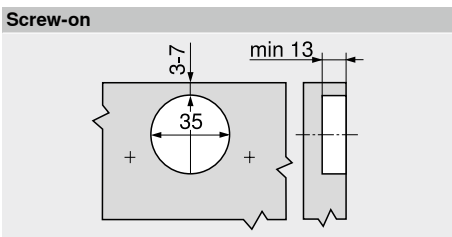
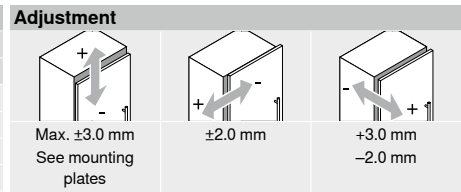
MD	Front overlay FA (mm)													
	7	8	9	10	11	12	13	14	15	16	17	18	19	20
0										3	4	5	6	7
3							3	4	5	6	7			
6				3	4	5	6	7						
9	3	4	5	6	7									

MD Mounting plate spacing (mm)

**Minimum gap F for fronts with a front radius (R = 1 mm) based on the factory setting**

Drilling distance TB (mm)	Front thickness FD (mm)											
	16	18	19	20	21	22	23	24	25	26	28	30
3	0.5	0.8	1.0	1.2	1.5	1.8	2.2	2.7	3.5	4.3	Δ	Δ
4	0.5	0.8	1.0	1.2	1.4	1.7	2.0	2.5	3.1	3.8	Δ	Δ
5	0.5	0.8	0.9	1.2	1.4	1.7	2.0	2.4	2.9	3.4	Δ	Δ
6	0.5	0.8	0.9	1.2	1.3	1.6	1.9	2.3	2.7	3.2	Δ	Δ
7	0.5	0.8	0.9	1.1	1.3	1.6	1.9	2.2	2.6	3.0	Δ	Δ
<b>Additional for +2 mm side adjustment</b>												
	+0.2	+0.4	+0.4	+0.5	+0.5	+0.5	+0.5	+0.5	+0.5	+0.5		

Δ In these cases a trial is recommended



**Reference pages**

Overview – CLIP top BLUMOTION   CLIP top – hinges	71	<b>Assembly, removal and adjustment</b>	
Mounting plates	144		
Accessories – hinge arm cover cap	151	<b>Short URL</b>	
Accessories – general	153		
Overview – BLUMOTION for doors	157	<a href="http://www.blum.com/a210">www.blum.com/a210</a>	
Overview – TIP-ON for doors	171		
Overview – assembly devices	591		
More technical details	698		