



CABLOXX

Greater design freedom for lockable furniture

www.blum.com

 **blum**[®]



An added touch for high-quality furniture

Lockable furniture can be used to secure a wide range of items, including precious personal items, confidential documents and valuable shop products. CABLOXX adds an extra layer of security to premium furniture, whilst offering plenty of design freedom.

 **blum**

Contents

- 4** Different ideas, one solution
- 6** Protection against unauthorised access
- 8** Tip protection for free-standing furniture
- 10** Proven convenience during assembly
- 12** Ordering and planning information
- 22** Blum



All motion technologies

BLUMOTION, SERVO-DRIVE, TIP-ON BLUMOTION or TIP-ON – Blum's locking system can be used with all electrical and mechanical motion technologies.



Different colour variants

The front locking bracket can be adapted to each box system thanks to its four colour variants: terra black, orion grey, white grey and silk white.

Different ideas, one solution

Blum's locking system opens up a wide range of design options for LEGRABOX, TANDEMBOX, MOVENTO and TANDEM. Different cabinet widths and heights can be achieved with CABLOXX, as can different pull-out heights.

 **blum**



Protection against unauthorised access

If you have items that need to be stored in an organised way, presented appealingly and stored safely, CABLOXX is the right solution for you. Pull-outs are securely locked and protected against unauthorised access. Blum's locking system is compatible with all standard lock cylinders.



Safely out of the reach of children

A lockable pull-out is an ideal solution if you need a child safety latch on your furniture at home. Possible sources of danger such as cleaning products and medication are then stored safely away from children.



Tip protection for free-standing furniture

The integrated tip protection of CABLOXX makes using furniture even safer. With a pull-out lock installed, only one pull-out can open at a time, which takes the options for free-standing furniture design to the next level.

 **blum**







High flexibility

If the locking bar has been cut to the required size, the spacers and the locking mechanism units can be positioned wherever required. In other words, CABLOXX offers a high degree of freedom for the design process.



No impact on pull-out system

The front locking bracket is not fixed to the drawer side but rather to the front directly. This way CABLOXX has no impact on the assembly or inner workings of the corresponding pull-out system.



Cutting to size template

A template helps you to cut locking bars, spacers and synchronisation shafts to precise sizes as well as to drill the positioning hole for the end cap or the drilling pattern for the synchronisation attachment.

Proven convenience during assembly

Box and runner systems do not need to have special dimensions to be used in combination with CABLOXX. Height, side, tilt and depth are fully adjustable and are easy to use thanks to the flexibility of Blum's locking system.

 **blum**



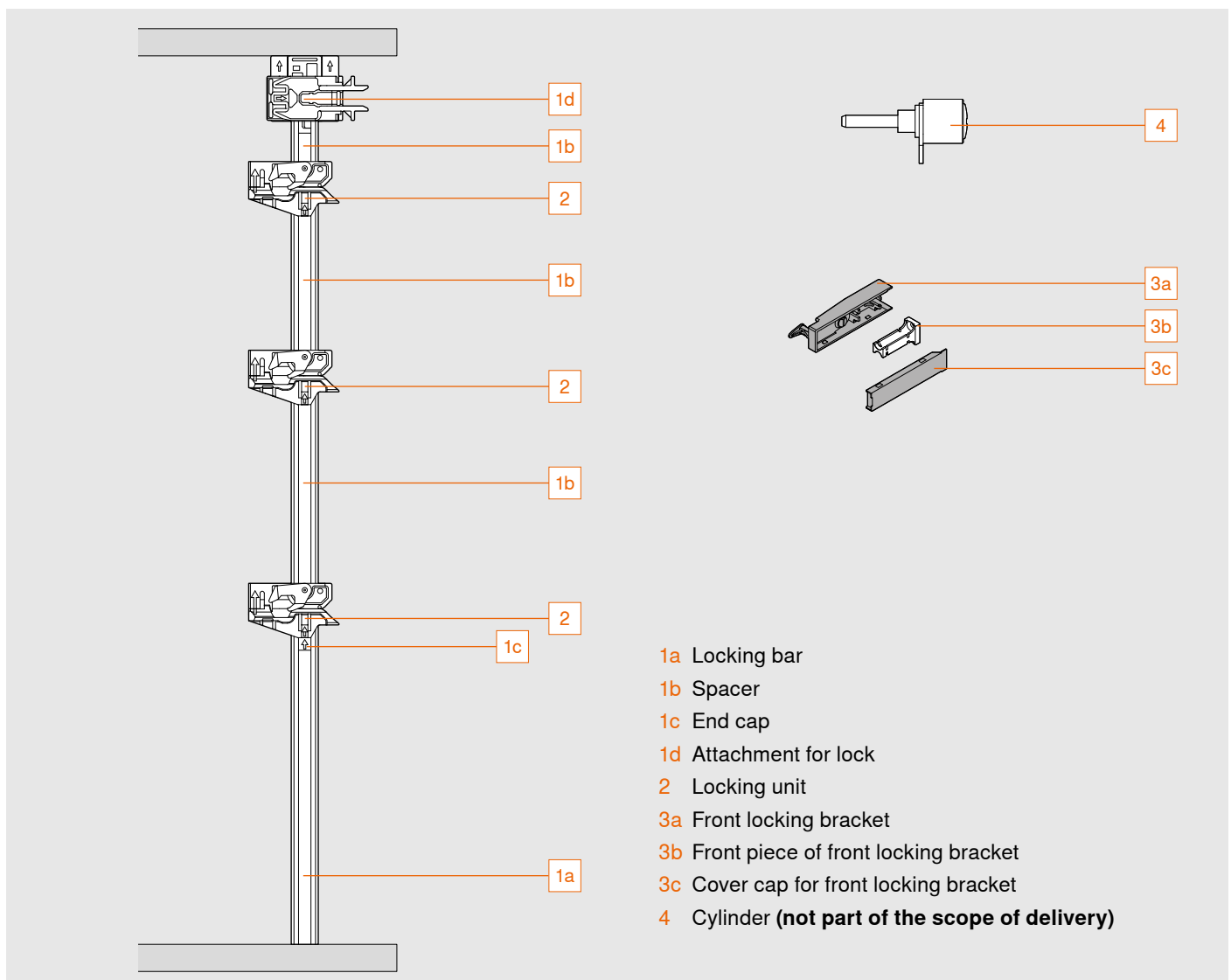
Product



Description

- CABLOXX is a compact and straightforward package that provides an extra layer of security while offering great freedom of design
- System-independent solution – can be combined with various box and runner systems
- High flexibility – can be used for various cabinet dimensions
- Up to five pull-outs can be used per locking bar
- Can be combined with all motion technologies
- Unrestricted adjustment

Component overview



Order specification

Locking bar set (can be cut to size)	
	1 Locking bar set
	Up to cabinet height
	600 mm Z80S0560
	800 mm Z80S0760
	1300 mm Z80S1260
Consisting of: 1a 1x locking bar, symmetrical 1b 1x spacer for cutting to size 1c 1x end cap 1d 1x attachment for the lock 1x drilling template for the end cap 1x installation instructions Locking bar cutting: Internal height LH - 2 mm	
	2 Locking units
	Right Z80.000V
	Left Z80.000V

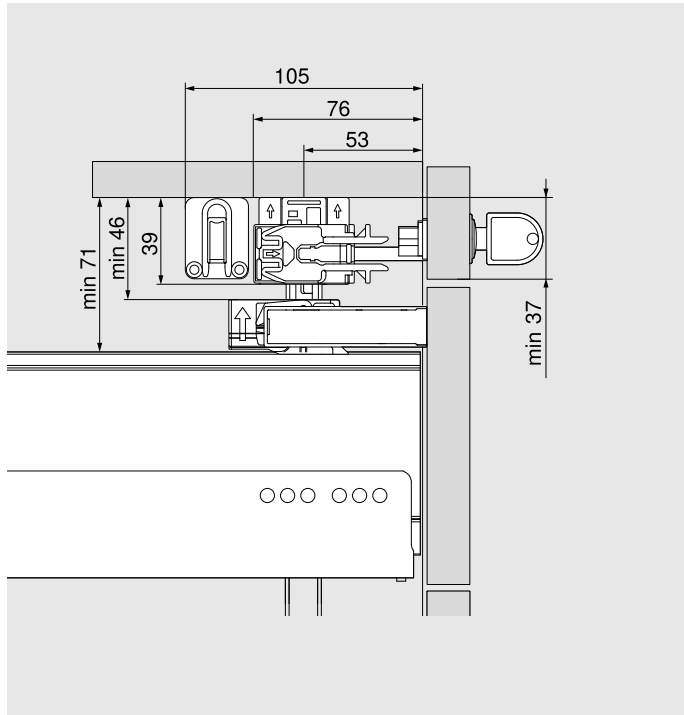
Ready-made locking bar sets	
	Ready-made locking bar set M/M/M
	For use with LEGRABOX and TANDEMBOX in tier system 32, internal height (LH) 544 mm
	Z80S0542CA
Consisting of: 1a locking bar, right 1b spacers, pre-assembled 1d pre-assembled attachment for lock 2 3x pre-assembled locking units, right side	
	Ready-for-use locking bar set C/M
	For use with LEGRABOX and TANDEMBOX in tier system 32, internal height (LH) 544 mm
	Z80S0542BA
Consisting of: 1a locking bar, right 1b spacers, pre-assembled 1d pre-assembled attachment for lock 2 2x locking units, right side, pre-assembled	

3 Front locking bracket set	
	SW-M silk white matt Z80.000S
	WGR white grey Z80.000S
	OG-M orion grey matt Z80.000S
	TS-M terra black matt Z80.000S
	Consisting of: 3a 1x front locking bracket 3b 1x front piece of front locking bracket 3c 1x cover cap for front locking bracket

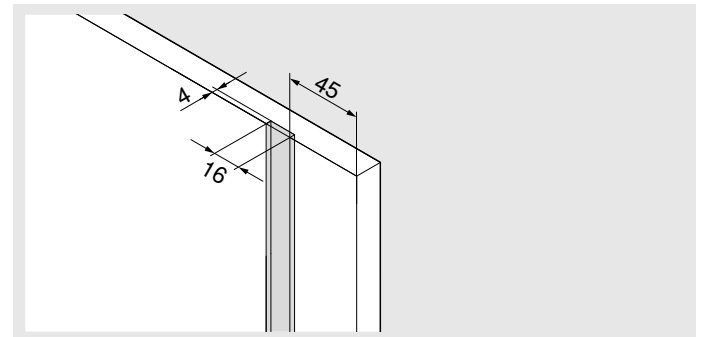
Optional	
Synchronisation set*	
	Recommended for cabinet widths > 600 mm in combination with closing function
	Z80V000A
	Consisting of: 2x attachments for synchronisation 2x levers for synchronisation * When synchronisation is used, two locking bar sets are necessary.
Shaft for synchronisation*	
	For cutting to size Z80V1163W
	Cutting: internal cabinet width LW - 7 mm
	* When synchronisation is used, two locking bar sets are necessary.

Assembly devices	
Cutting-to-size template	
	Cutting locking bar to size, spacers and synchronisation shaft. Drilling holes for end cap and synchronisation attachment.
	65.0801
Positioning template for front locking bracket	
	for LEGRABOX 65.0807
	for TANDEMBOX 65.0803

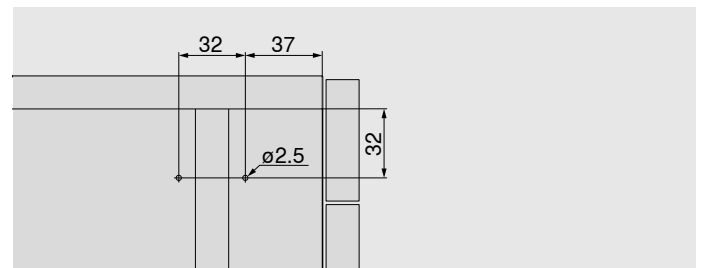
Space requirement for locking bar and synchronisation



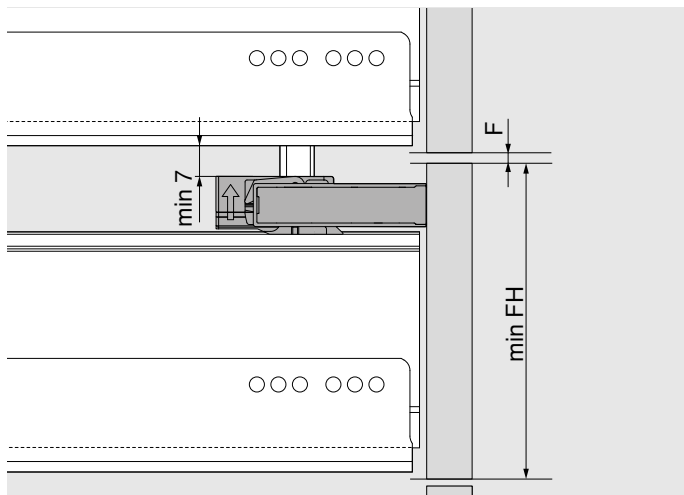
Locking bar groove dimension



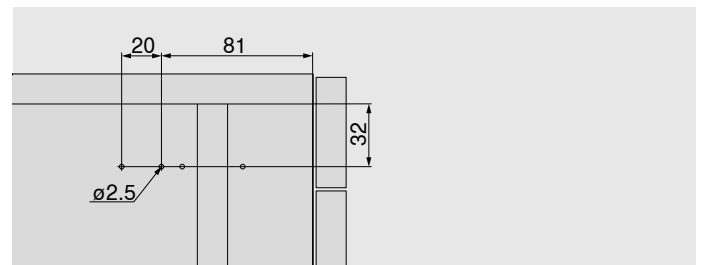
Drilling distance for locking bar



Min. front heights



Optional drilling distance for synchronisation attachment



Minimum front height [min. FH]	Height							
	N	M	K	B	C	D antaro	D intivo	F
TANDEMBOX	111	126	156	183	215	247	240	–
LEGRABOX	107	132	170	–	221	–	–	285

With a gap [F] of 2 mm
Valid for BLUMOTION runners

Drilling distance for front piece of front locking bracket

LEGRABOX

Front piece of front locking bracket to be pre-drilled $\varnothing 2.5$ mm

	Height				
LEGRABOX	N	M	K	C	F
[X] mm	40	59	97	148	212

AMBIA-LINE
Cross gallery not taken into account (+ 4 mm)

TANDEMBOX

Front piece of front locking bracket to be pre-drilled $\varnothing 2.5$ mm

	Height						
TANDEMBOX	N	M	K	B	C	D _{antaro}	D _{intivo}
[X] mm	57	57	87	114	146	178	171

Wooden drawer

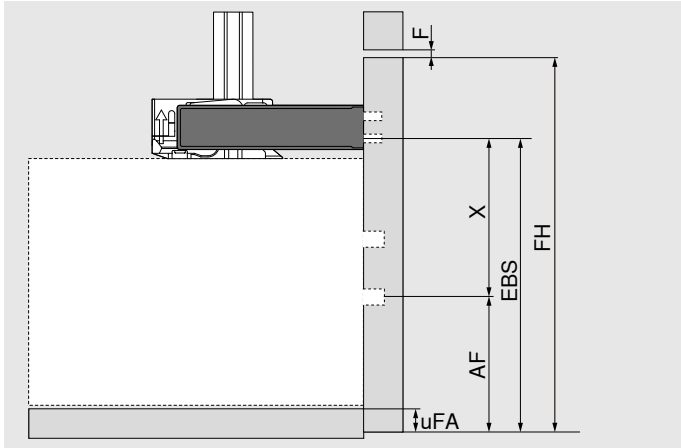
SKH Drawer height

Cylinder specifications

Cylinder drilling distance

FAo Upper front overlay
SFA Front overlay of the side panel

Legend



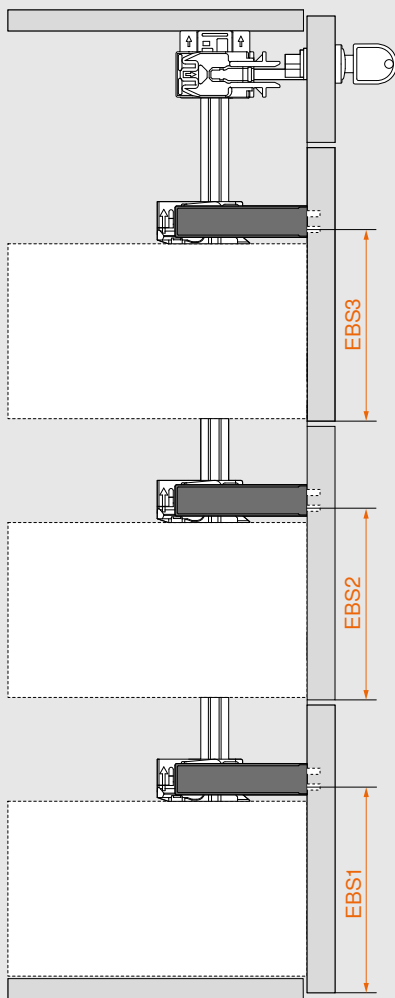
- FH Front height
- EBS Installation dimensions for front locking bracket
- X Drilling distance for front locking bracket (page 15)
- AF Fixing dimensions for front fixing bracket
- uFA Bottom overlay of front
- F Gap



Spacer calculation
www.blum.com/configurator

Step 1

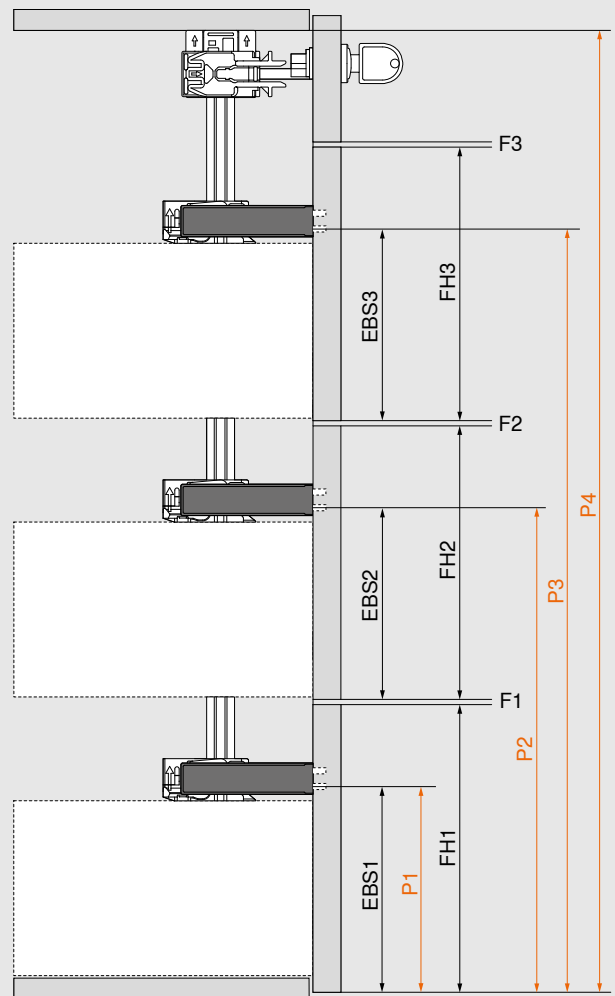
Calculate installation dimensions for front locking bracket (EBS)



$EBS = X + AF$

Step 2

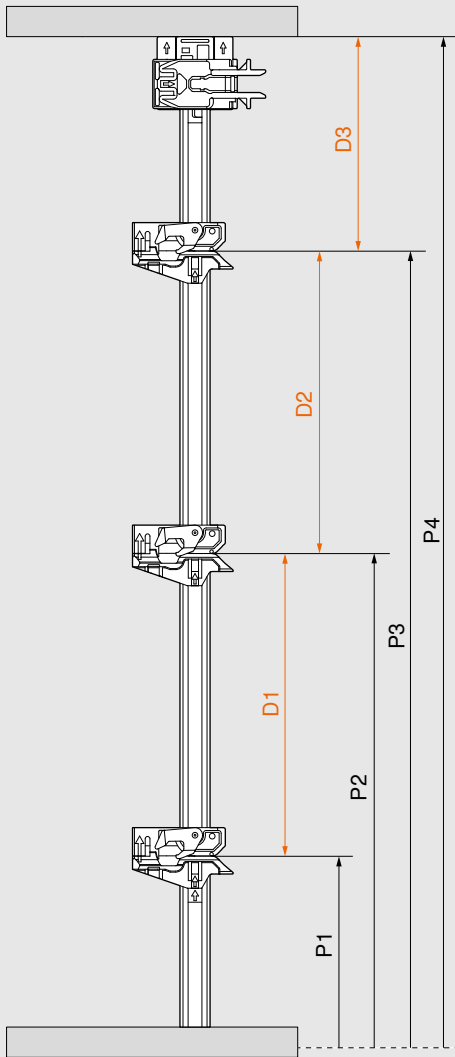
Calculate position of front locking bracket (P) in the cabinet



- $P1 = EBS1$
- $P2 = FH1 + F1 + EBS2$
- $P3 = FH1 + F1 + FH2 + F2 + EBS3$
- $P4 = LH + uFA$

Step 3

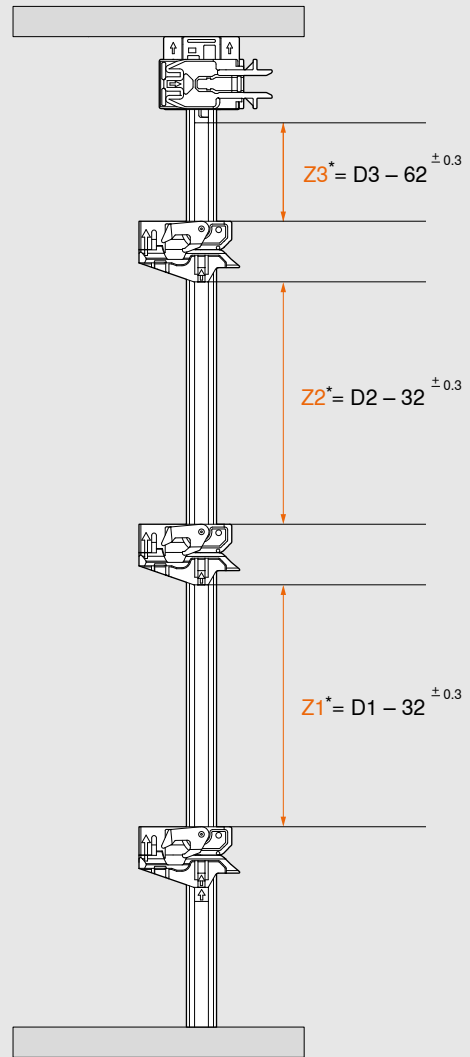
Calculate spacing (D) between locking units



$D1 = P2 - P1$
 $D2 = P3 - P2$
 $D3 = P4 - P3$

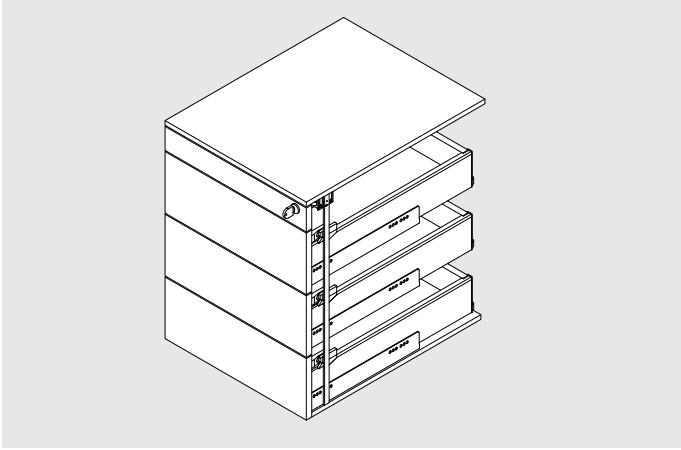
Step 4

Calculate cutting dimension (Z)

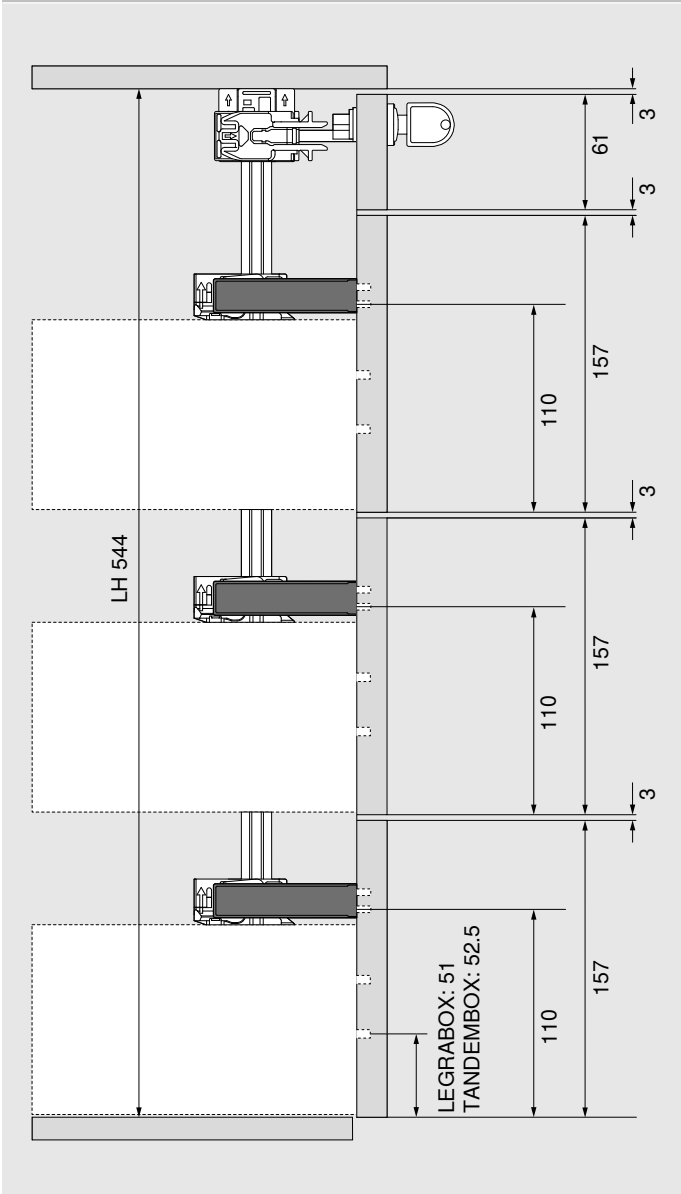


* We recommend using the cutting-to-size template **65.0801** for precise cutting to size (see page 13).

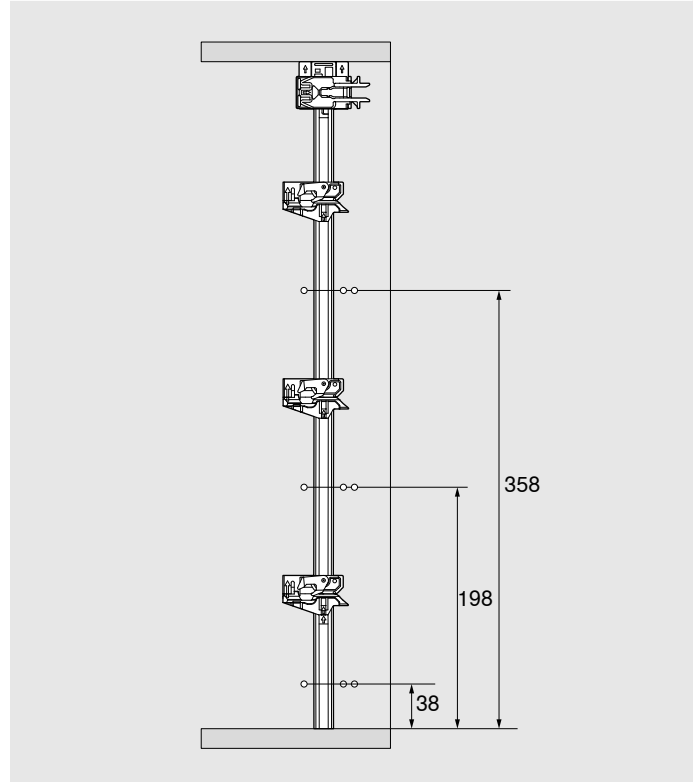
Height M/M/M



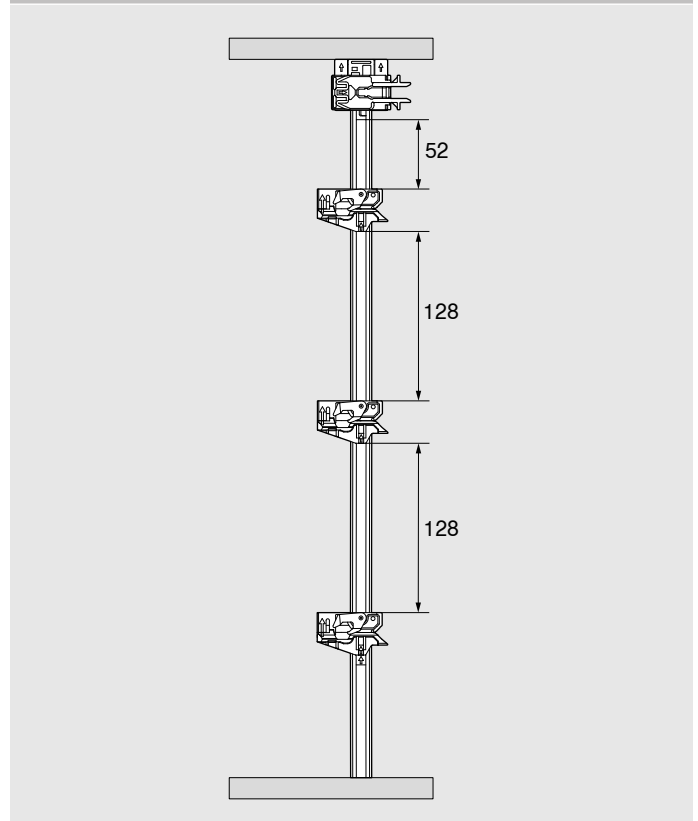
Front heights, gaps and installation dimensions for front locking bracket



Fixing position of cabinet profiles



Length of spacers

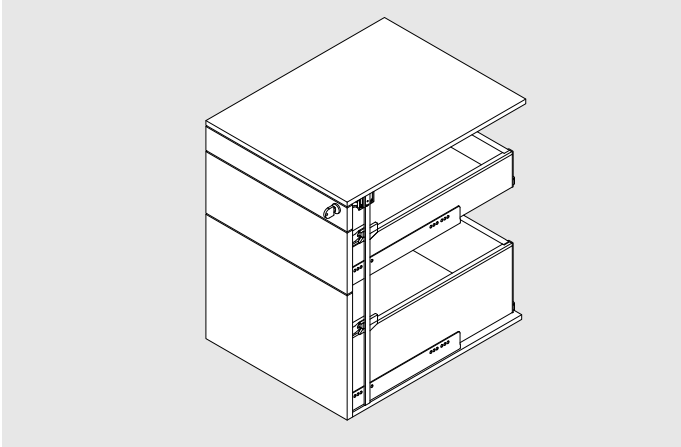


Planning: ready-made locking bar set

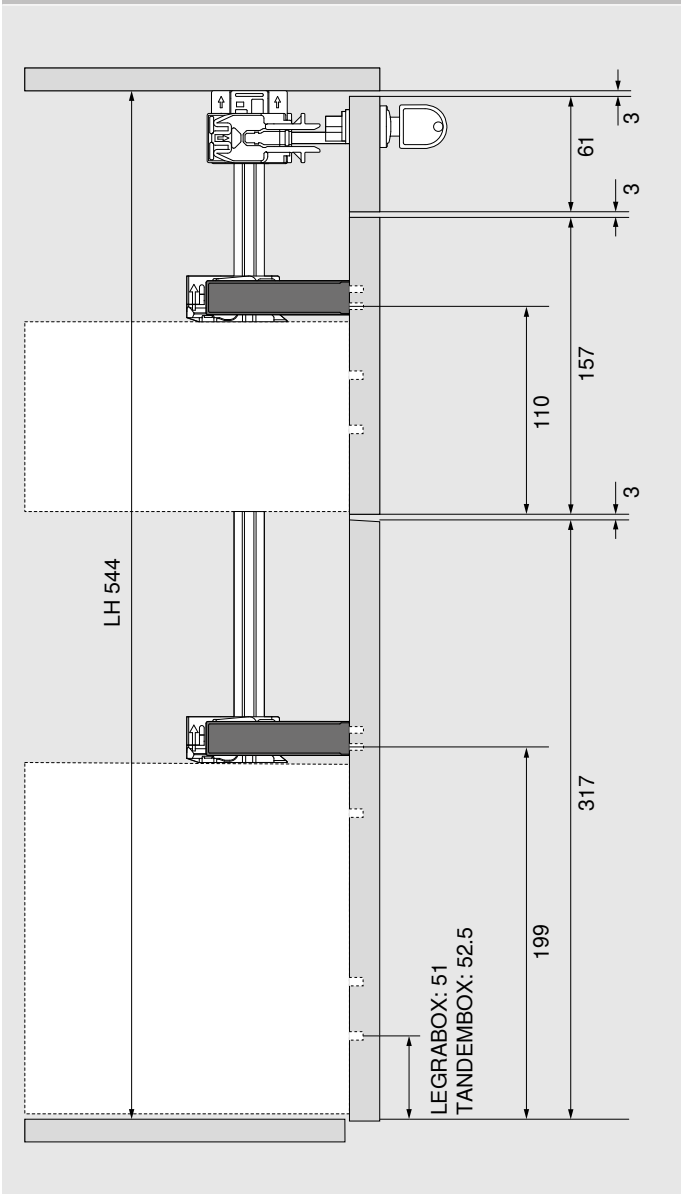
CABLOXX



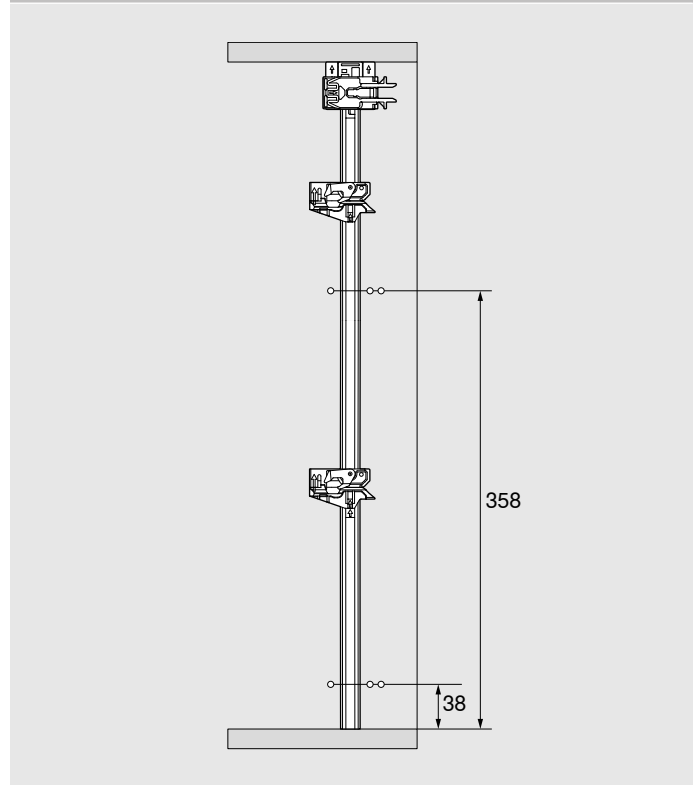
Height C/M



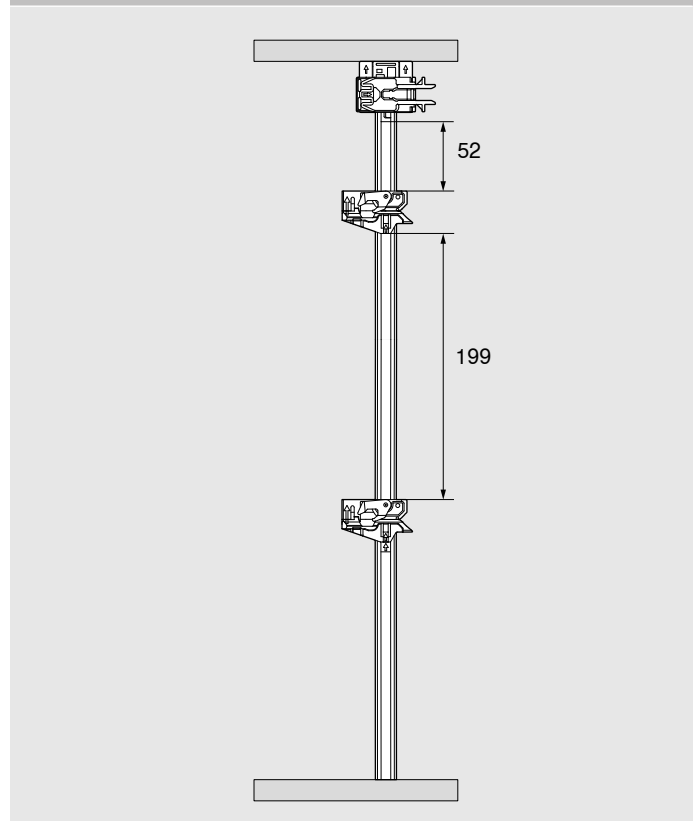
Front heights, gaps and installation dimensions for front locking bracket



Fixing position of cabinet profiles

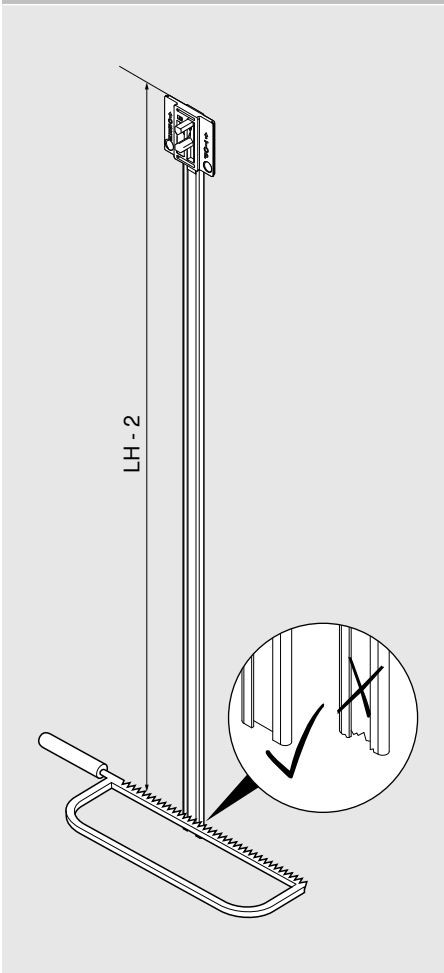


Length of spacers

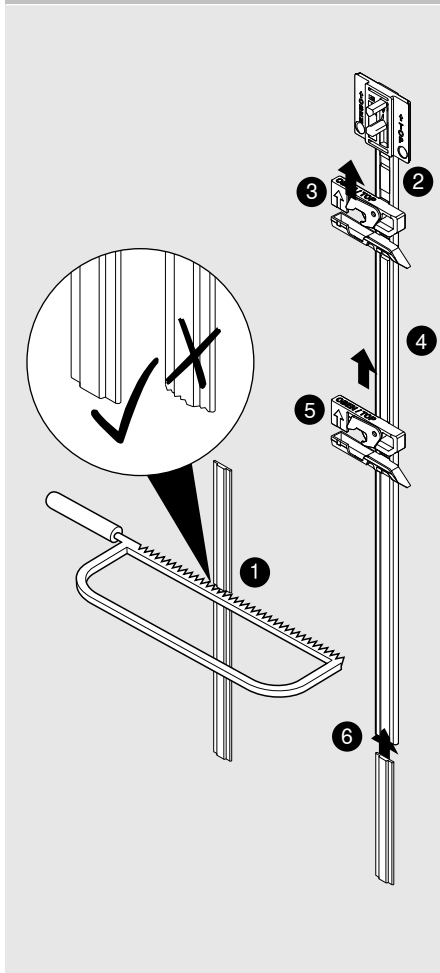


Locking bar, locking unit and cylinder

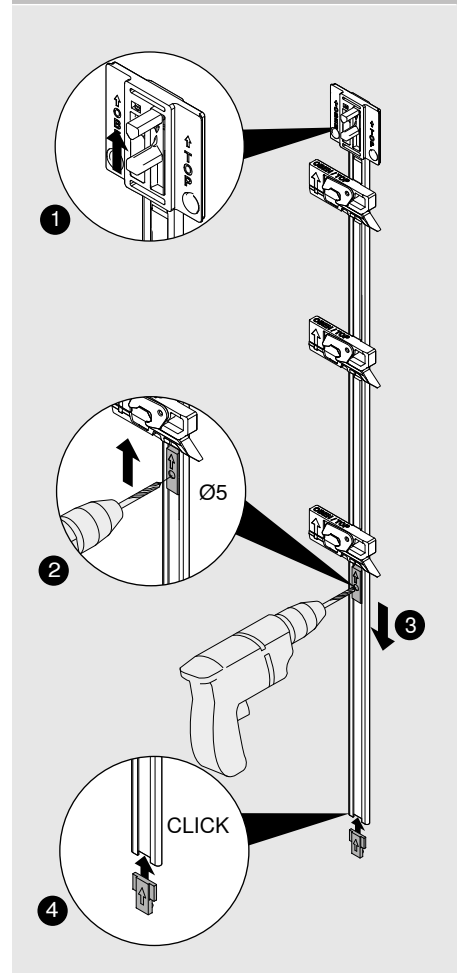
Cut locking bar to size*



Cut spacer to size*, attach locking unit

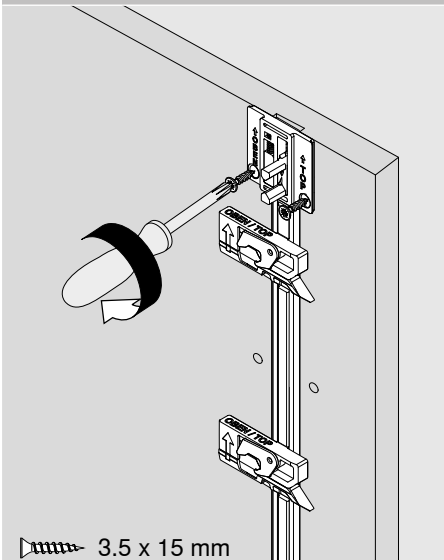


Affix end cap

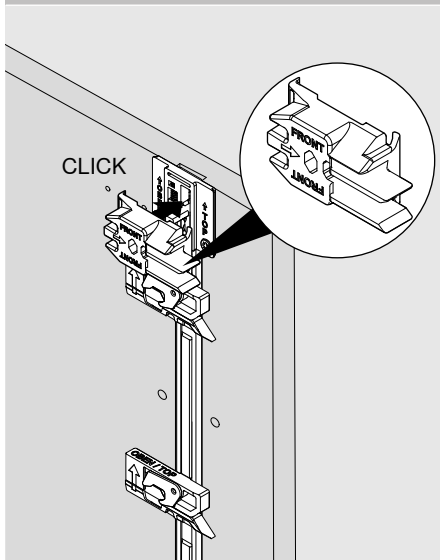


* We recommend using the cutting-to-size template 65.0801 for precise cutting to size (see page 13).

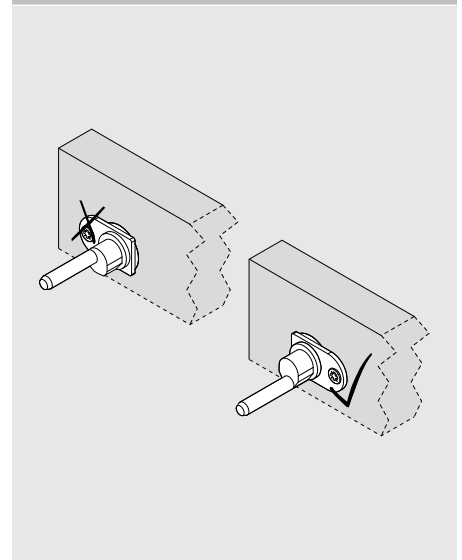
Affix locking bar



Affix attachment for lock

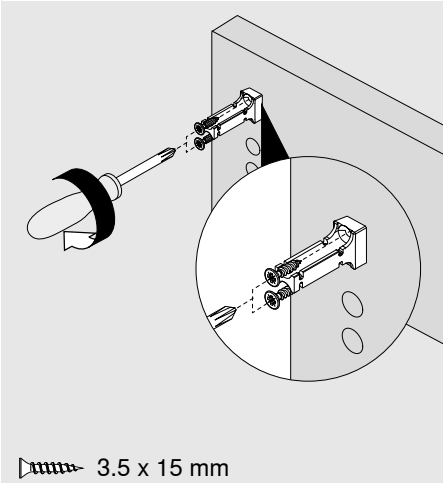


Install the cylinder

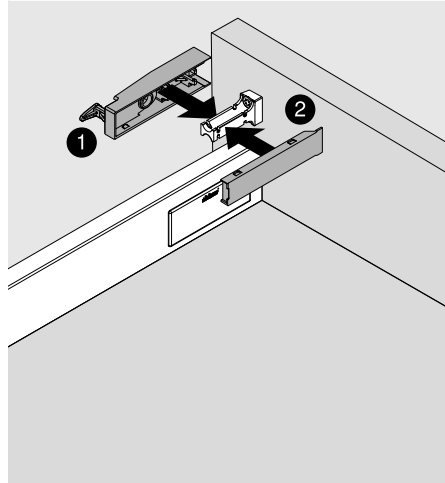


Front locking bracket and synchronisation

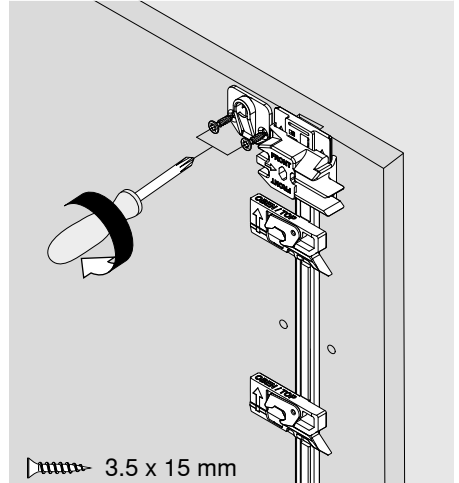
Front piece of front locking bracket



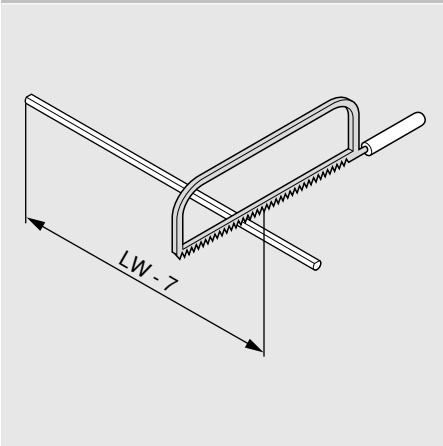
Front locking bracket and cover cap



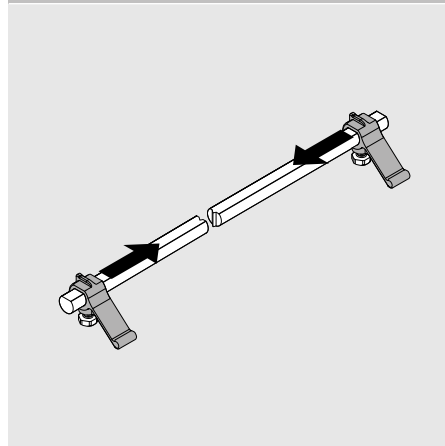
Attachment for synchronisation



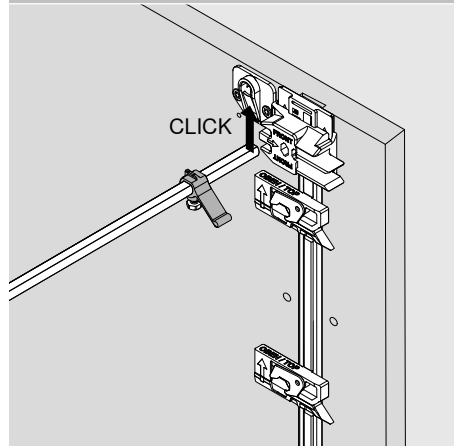
Cut the shaft to size for the synchronisation*



Slide on synchronisation levers

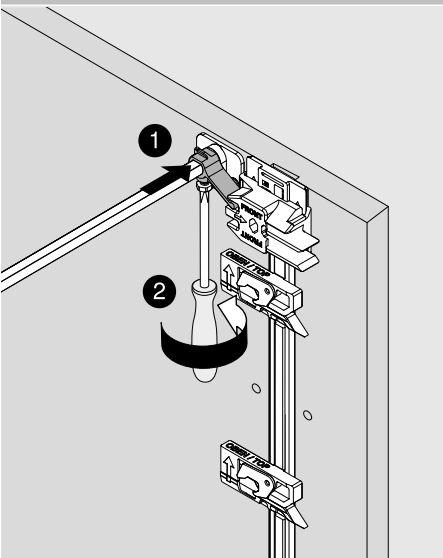


Insert shaft for synchronisation

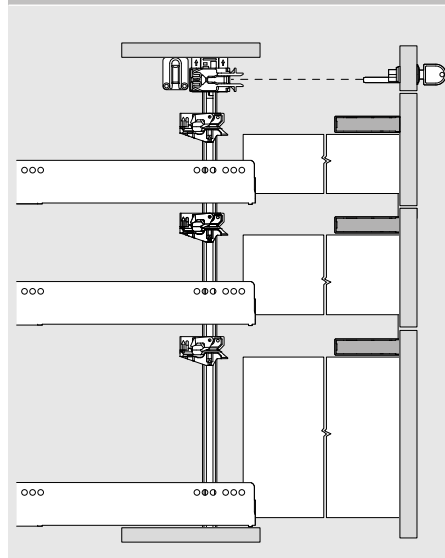


* We recommend using the cutting-to-size template 65.0801 for precise cutting to size (see page 13).

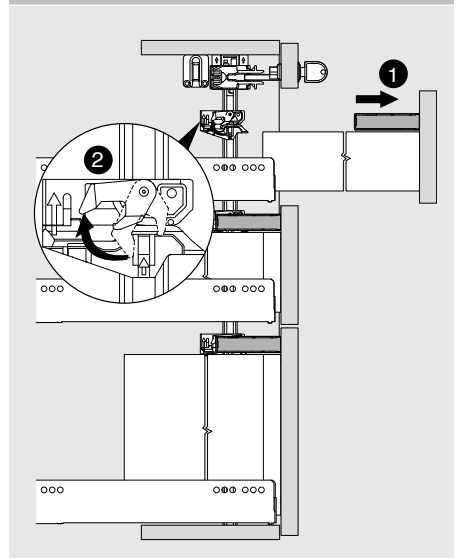
Fasten synchronisation levers



Assembling pull-outs



Removing pull-outs



The company Blum

Founded over 60 years ago by Julius Blum, Blum is a family-owned company that operates on an international scale. Its strategic business segments include lift, hinge and pull-out systems. All our product developments focus on perfecting motion.

www.blum.com

The Blum logo consists of a small white arrow pointing upwards and to the right, followed by the word "blum" in a bold, lowercase, sans-serif font. The entire logo is white and is set against a red background.





Blum in Austria and around the world

The company has seven plants in Vorarlberg, Austria, additional production sites in Poland, the USA and Brazil and 28 subsidiaries/representative offices. Blum supplies more than 120 markets. The Blum Group employs 6,900 people in total, 5,300 of whom work in Vorarlberg.



Global customer benefits

“Whether manufacturer, distributor, fitter or kitchen user – everybody should personally enjoy the benefits of Blum products” – that is Blum’s philosophy on global customer benefits.



Innovations

To support customers with innovative fittings solutions and secure long-term success for the company, we need to consistently invest in research and development, in plants and facilities and in employee training. With more than 2,600 patents worldwide, Blum is one of Austria’s most innovative companies.



Quality

Blum’s comprehensive concept of quality does not only apply to products. Services and collaboration with customers and partners should also meet the same quality requirements.



Environment

At Blum, we believe that responsible ecological behaviour has long-term economic benefits. The longevity of products is just one of many important aspects. Other important measures include the use of environmentally-friendly processes, the intelligent use of materials and prudent energy management.



DYNAMIC SPACE

Good workflows, optimum use of storage space and top quality motion are important features of a practical kitchen. Blum’s ideas for practical kitchens are designed to bring function, convenience and ergonomics to furniture interiors.



Julius Blum GmbH
Furniture Fittings Mfg.
6973 Höchst, Austria
Tel.: +43 5578 705-0
Fax: +43 5578 705-44
E-mail: info@blum.com
www.blum.com

