



## Technical details

### AVENTOS HL



### Opening angle stop

■ 20L7051 (124°)

■ 20L7071 (130°)

■ 20L7081 (133°)

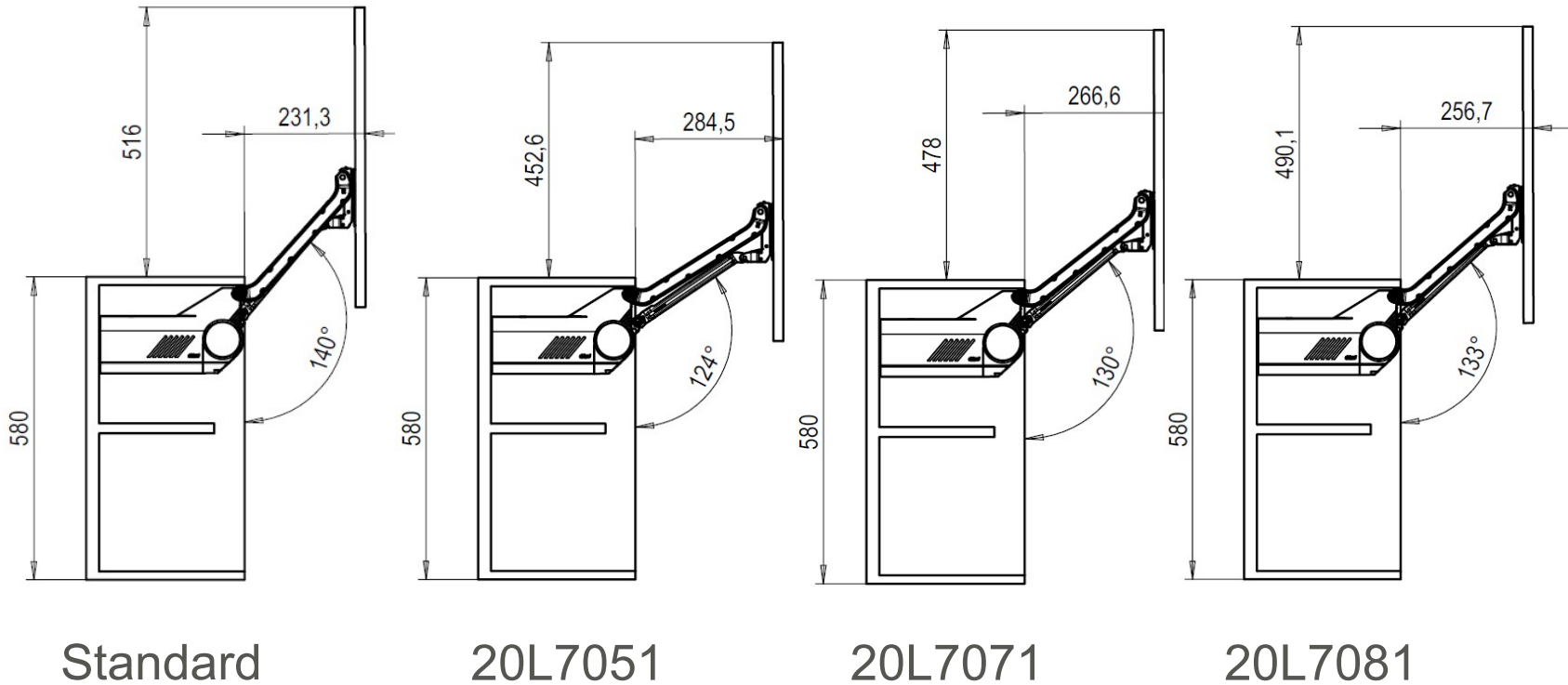
# Technical details

## AVENTOS HL



### Opening angle stop lever arm 20L390x

An extra of ca. 15 mm space requirement should be considered for tolerances, front adjustment, overpressure, etc.



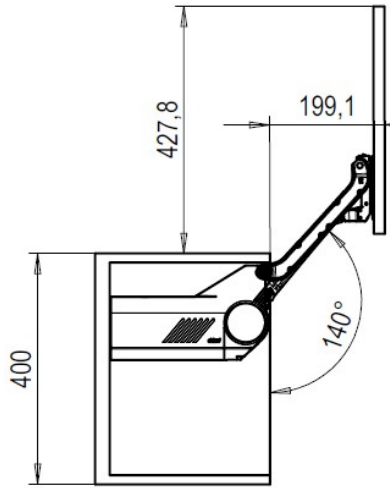
# Technical details

## AVENTOS HL

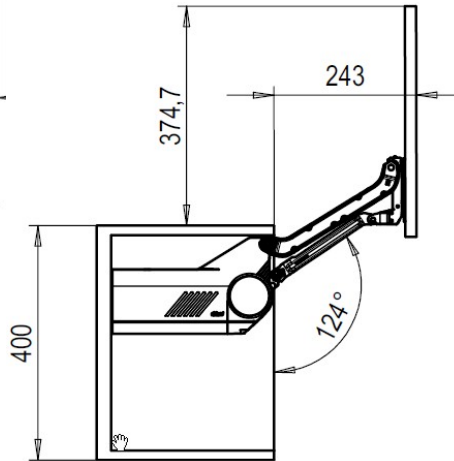


### Opening angle stop lever arm 20L380x

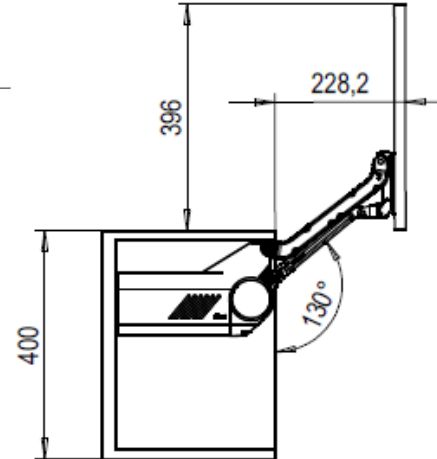
An extra of ca. 15 mm space requirement should be considered for tolerances, front adjustment, overpressure, etc.



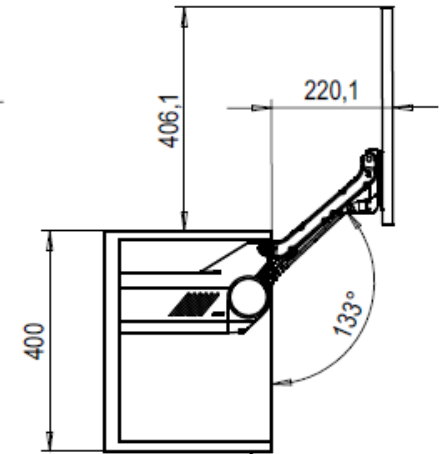
Standard



20L7051



20L7071



20L7081

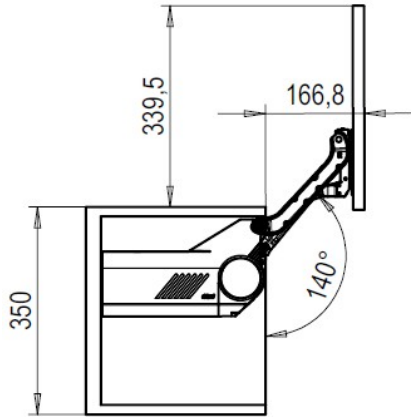
# Technical details

## AVENTOS HL

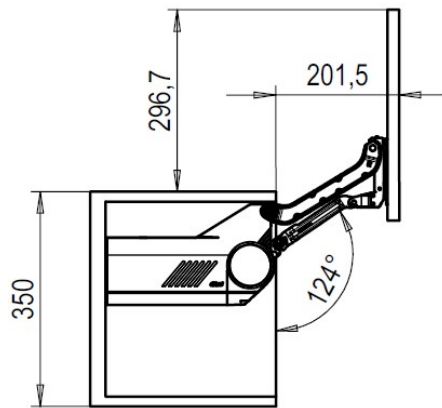


### Opening angle stop lever arm 20L350x

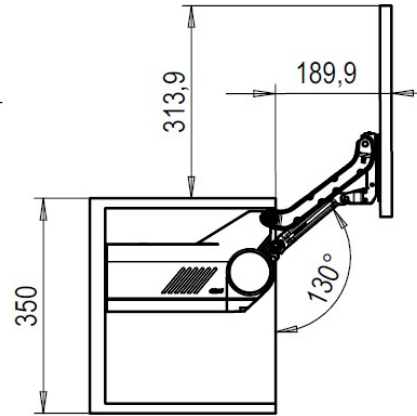
An extra of ca. 15 mm space requirement should be considered for tolerances, front adjustment, overpressure, etc.



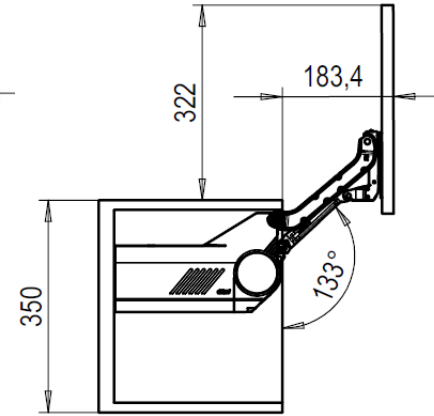
Standard



20L7051



20L7071



20L7081

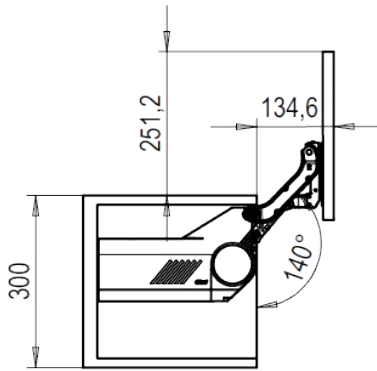
# Technical details

## AVENTOS HL

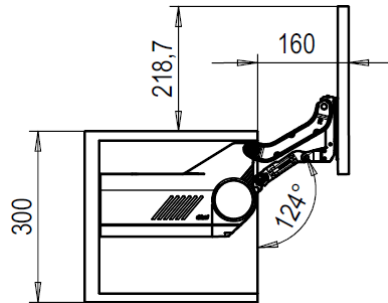


### Opening angle stop lever arm 20L320x

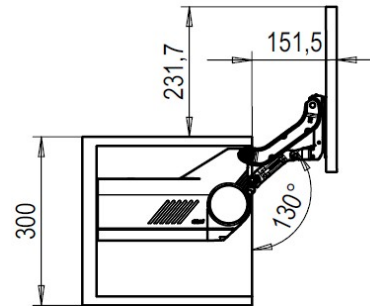
An extra of ca. 15 mm space requirement should be considered for tolerances, front adjustment, overpressure, etc.



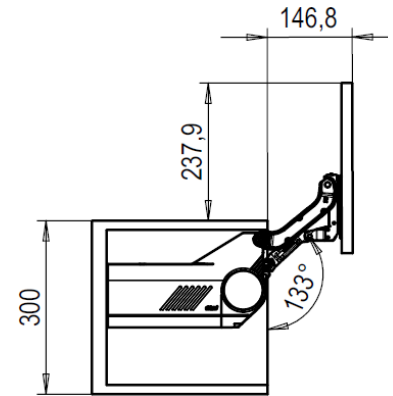
Standard



20L7051



20L7071

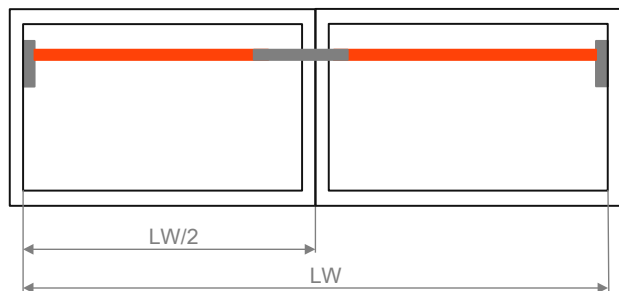


20L7081

# Connecting piece set for cabinet widths > 1200 mm (retail)



## Standard



### Cross stabilisation calculation

$$\text{Cutting} = LW/2 - 147$$

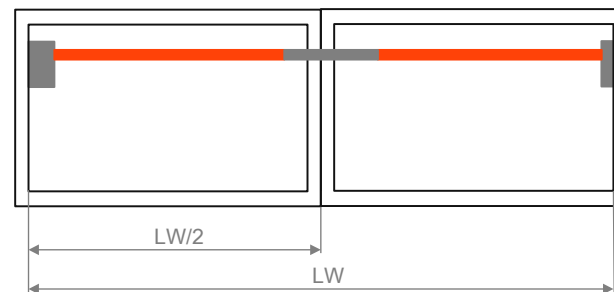
Connecting piece is off-centre!

For centre position:

$$\text{Left: } LW/2 - 127 \text{ mm}$$

$$\text{Right: } LW/2 - 167 \text{ mm}$$

## SERVO-DRIVE



### Cross stabilisation calculation

$$\text{Cutting} = LW/2 - 165$$

Connecting piece is off-centre!

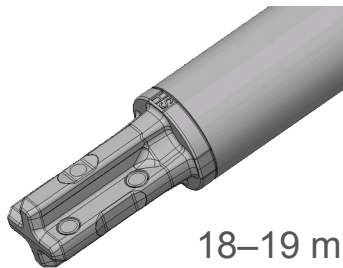
For centre position:

$$\text{Left: } LW/2 - 162 \text{ mm}$$

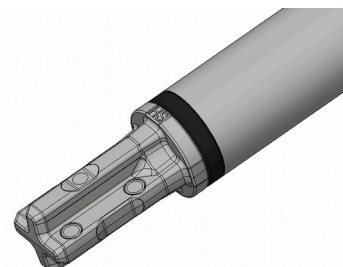
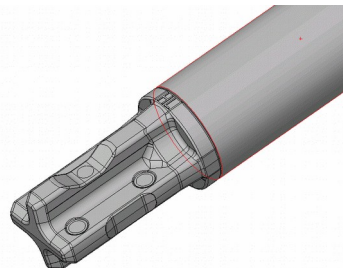
$$\text{Right: } LW/2 - 167 \text{ mm}$$

LW... internal width

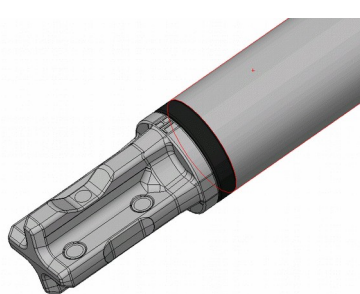
# Connecting piece for cabinet widths > 1200 mm (industry)



18–19 mm  
side panel thickness



15–16 mm  
side panel thickness



- Cross stabilisation calculation based on cabinet width
- Individual connecting piece for HS/HL
  - HS: **20Q153ZN1**
  - HL: **20Q153ZA1**
  - Label and larger recess for HL
- Effect of side panel thickness
  - 18–19 mm: **20Q153ZN1** / **20Q153ZA1**
  - 15–16 mm: **20Q159ZN1** / **20Q159ZA1**
  - Visual marking
- Fixings and cover caps remain unchanged
- SERVO-DRIVE: upon request
  - Special connecting piece or cross stabilisation (length) required