

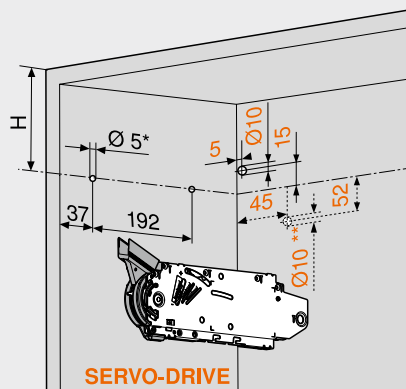
Wooden fronts and wide alu frames

Web code
DQD8YM

Planning

Symmetrical

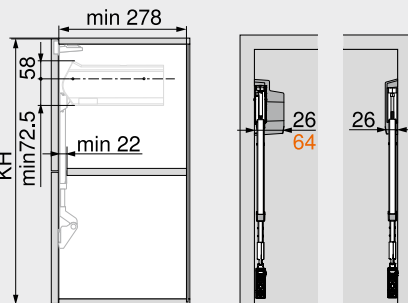
Drilling position



Cabinet height KH (mm)	H (mm)
480–549	KH x 0.3 – 28
550–1040	KH x 0.3 – 57

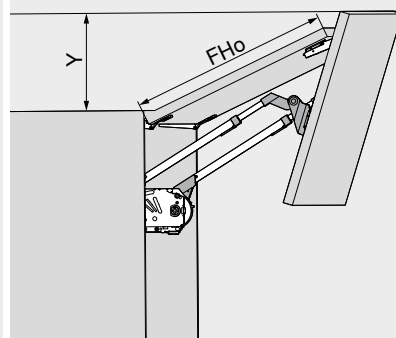
4 x chipboard screws Ø 4 x 35 mm
Drilling for SERVO-DRIVE distribution cable, left only
* Drilling depth 5 mm
** Alternative drilling

Space requirement



SERVO-DRIVE

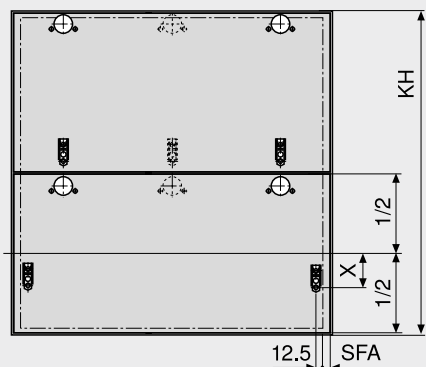
KH Cabinet height



Opening angle stop	Y (mm)
Without	FHo x 0.44 + 38
104°	FHo x 0.24 + 34
83°	0

FHo Upper front height

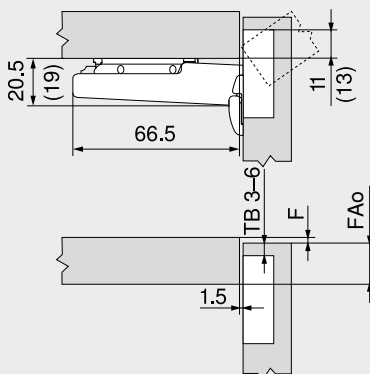
Front assembly



Cabinet height KH (mm)	X (mm)	
480–549	70	68
550–1040	47	45

SFA Front overlay of the side panel

CLIP top 120° hinge



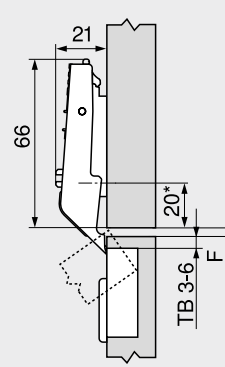
TB	Drilling distance
F	Gap
FAo	Upper front overlay
()	CLIP top 120° special hinge

Drilling distance TB

MD	Front overlay FA (mm)														
	5	6	7	8	9	10	11	12	13	14	15	16	17		
0												3	4	5	6
3								3	4	5	6				
6				3	4	5	6								
9	3	4	5	6											

MD Mounting plate spacing (mm)
With the CLIP top 120° special hinge, the front overlay FA is always 2 mm larger

CLIP top centre hinge



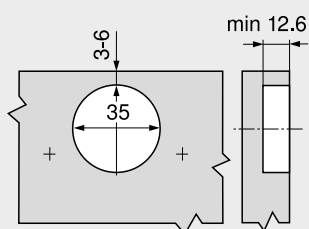
TB	Drilling distance
F	Min. gap 1.5 mm
*	37 mm for cruciform mounting plates (37/32)

Drilling distance TB

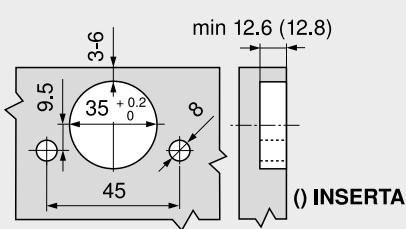
MD	Horizontal gap F (mm) between fronts						
	3	4	5	6			
0							
3				6	5	4	3
6							
9							

MD Mounting plate spacing (mm)

Screw-on



INSERTA | EXPANDO



Hinge boss dimensions

