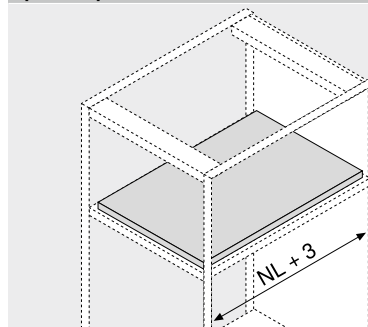


## Pull-out shelf lock



- Can be used with **TANDEM full extensions**
- Cannot be used with **TANDEM single extensions**
- Can be combined with **BLUMOTION** and **TIP-ON**
- Two-sided locking mechanism
- Secure hold
- Pull-out shelf lock can be released with one hand thanks to synchronisation shaft
- Easy assembly – fittings serve as template
- Runners are attached to standard fixing positions
- Max. cabinet width 1200 mm

## Space requirement



NL Nominal length

## Order information

12	Pull-out shelf lock		
Runners	Colour	Part no.	
560H   561H	Orion grey matt	295H5700	
560F   561F		295F5700	

## Consisting of:

12a	2 x Locking mechanism unit	Fixing only possible with chipboard screws	
12b	2 x Latching element	Fixing possible with chipboard and system screws	
–	1 x Installation instructions		

## Note

During assembly of the pull-out shelf lock, make sure that you leave the tilt adjustment at the factory setting!

We recommend using a side stabiliser with wide pull-outs with a short nominal length. This improves the engagement of the locking unit in combination with 560H | 561H.

12c	Synchronisation linkage		
Version	Length (mm)	Part no.	
Round	1089	ZST.1089W	

Pull-out shelf lock can be released with one hand thanks to synchronisation shaft

## Cutting

560H   561H	Internal cabinet width LW – 87 mm ± 1 mm
560F   561F	Internal cabinet width LW – 94 mm ± 1 mm

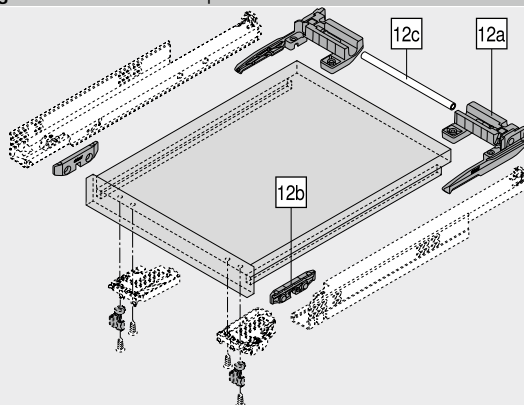
12c	Alternative to 12c Synchronisation linkage		
Version	Length (mm)	Part no.	
Round	1160	ZST.1160W	

Pull-out shelf lock can be released with one hand thanks to synchronisation shaft

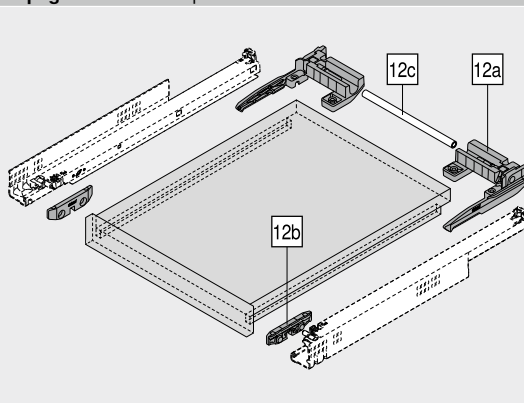
## Accessories

–	Chipboard screws		
	Diameter (mm)	Length (mm)	Part no.
	Ø 3.5	15.0	609.1500
–	System screw		
	Diameter (mm)	Length (mm)	Part no.
	Ø 6.0	14.5	661.1450.HG

## Locking device feature – 560H | 560F

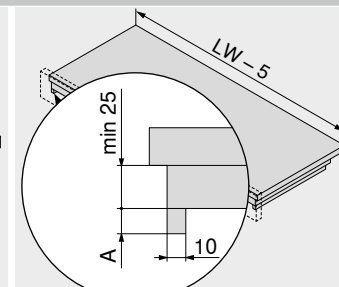
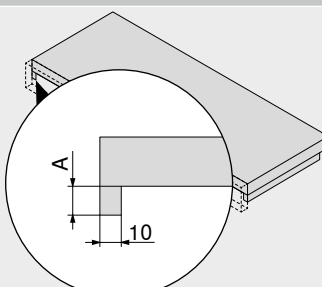
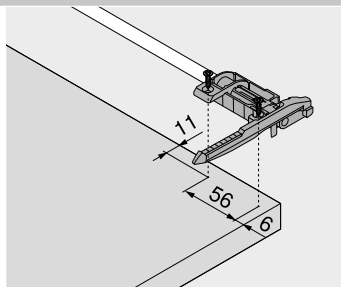
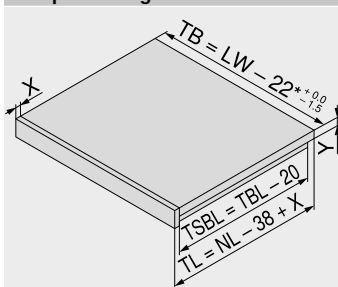


## Hook and peg variant – 561H | 561F



## Planning

## POS processing



NL	Nominal length
LW	Internal cabinet width
TB	Shelf width
TL	Shelf length
TBL	Pull-out shelf base length
TSBL	Pull-out shelf side panel length
X	Pull-out shelf front piece thickness
Y	Pull-out shelf base thickness
*	29 mm with TANDEM 19 mm

## Single pull-out shelf base

Runners	A (mm)
560H   560F	12–15
561H   561F	11–13

## Double pull-out shelf base

Runners	A (mm)
560H   560F	12–15
561H   561F	11–13