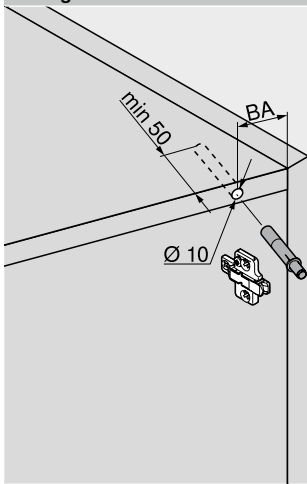


BLUMOTION 970A


- BLUMOTION – perfect movement, quiet and easy
- For use with Blum hinges
- For drilling or in combination with adapter plates

Order information

– BLUMOTION 970A			
	Colour	Material	Part no.
	R7037	Nylon	970A1002
Colour			
R7037 RAL 7037 dust grey			

Planning
Drilling distance BA


N° XX	Number of the angled application
XX	Drilling distance BA (mm)

Assembly position and number required

BLUMOTION 970A is for location on the hinge side, and guarantees perfect motion even for angled hinges. The hole for BLUMOTION 970A needs to be drilled into the cabinet top. The correct position is set using the drilling distance (BA). If the BLUMOTION effect is insufficient, we recommend installing an additional BLUMOTION 970A in the bottom.

Reference pages

Overview	157	Assembly	
Accessories – straight adapter plates	168	Drilling template for BLUMOTION TIP-ON	666
Accessories – cruciform adapter plates	168	Template	664
Drilling distance BA	165	Drilling template for mounting plates	665
		MINIPRESS top for EASYSTICK	610
		MINIPRESS top	614
		MINIPRESS P	626
		MINIPRESS M	630

Assembly, removal and adjustment

Short URL
www.blum.com/a220

