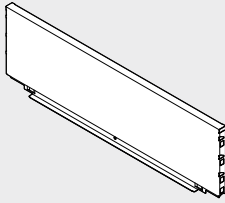


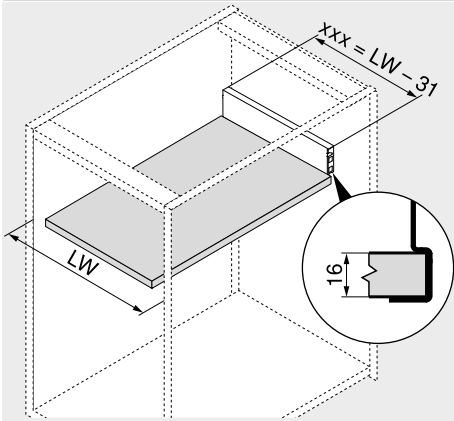
Steel back


- For LEGRABOX
- Colour: silk white matt | orion grey matt | carbon black matt
- Material: steel

Order information

Back height	Part no.
N	ZB7NxxxS.6
M	ZB7MxxxS.6
K	ZB7KxxxS.6
C	ZB7CxxxS.6
F	ZB7FxxxS.6

¹ Not compatible with SERVO-DRIVE

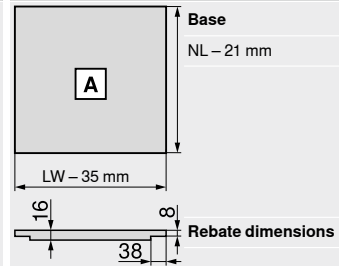
Planning
Calculation of width


$$xxx = LW - 31$$

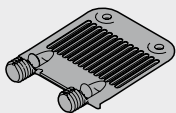
Example

Back wall height M
 LW = 567 mm
536 mm = 567 - 31 mm
Order
ZB7M536S.6

xxx Back width
 LW Internal cabinet width

Cutting – 16 mm chipboard


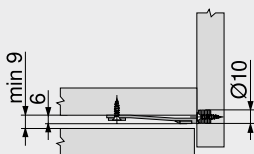
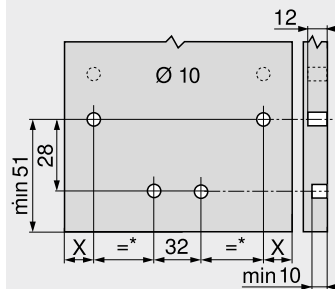
NL Nominal length
 LW Internal cabinet width

Front/base stabiliser


- For supporting wide drawer bases
- Recommendation:
 Cabinet width KB > 900 mm: 1 item

Order information

Fixing method	Colour	Part no.
EXPANDO	RAL 7037 dust grey	Z96.10E1

Planning
Space requirement in cabinet

Drilling distances – front


X = 14 mm + FA
 FA Front overlay
 * Min. 72 mm