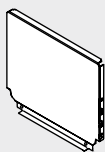
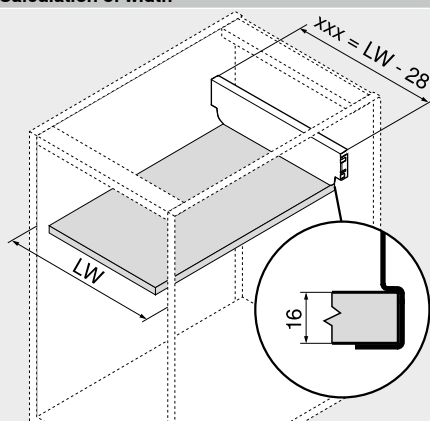


Steel back


- For TANDEMBOX
- Colour: silk white | RAL 9006 grey (white aluminium)
- Material: steel

Order information

Back height	Part no.
N	Z30NxxxS.6
M	Z30MxxxS.6
K	Z30KxxxS.6
C	Z30CxxxS.6
D	Z30DxxxS.6

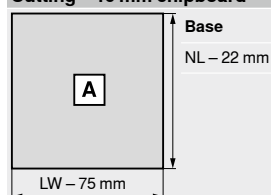
Planning
Calculation of width


$$xxx = LW - 28$$

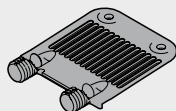
Example

Back wall height M
 LW = 567 mm
539 mm = 567 - 28 mm
Order
Z30M539S.6

xxx Back width
 LW Internal cabinet width

Cutting – 16 mm chipboard


NL Nominal length
 LW Internal cabinet width

Front/base stabiliser


- For stabilising high fronts
- For supporting wide drawer bases
- Required:

Front height FH < 300 mm:

Cabinet width KB > 900 mm: 1 piece

Front height FH ≥ 300 mm:

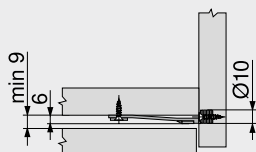
Cabinet width KB < 450 mm: 1 piece

Cabinet width KB ≥ 450 mm: 2 piece

Cabinet width KB > 900 mm: 3 piece

Order information

Fixing method	Colour	Part no.
EXPANDO	RAL 7037 dust grey	Z96.10E1

Planning
Space requirement in cabinet

Drilling distances – front
