

**COMPACT 107° hinge – 38B**



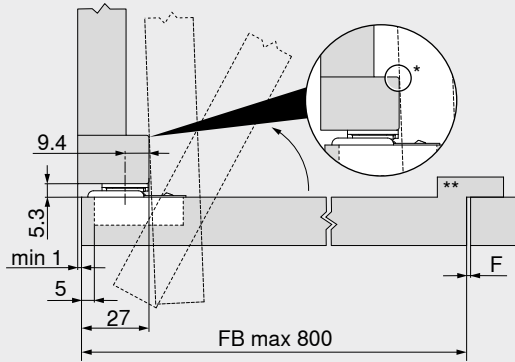
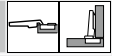
Web code – click on the code or enter it in the Product Configurator

DQED2P

**Planning**

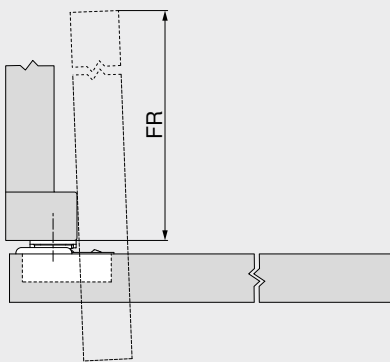
**Hinge dimensions and gap calculation based on factory setting**

**Overlay application**



- F Gap  
Due to the size of the door, sufficient gaps are required on all 4 edges  
Reference value: min. 2 mm
- \* Prevent collision
- \*\* A door stop must be fitted to the side opposite the hinges when implementing an inward opening door – installed by furniture manufacturer. This ensures that the door cannot be misused and opened outwards.

**Inward door projection FR**



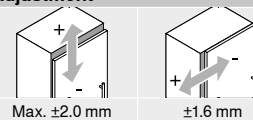
FR = FB – 48 mm  
 FB Front width  
 FR Inward door projection

**Number of hinges**

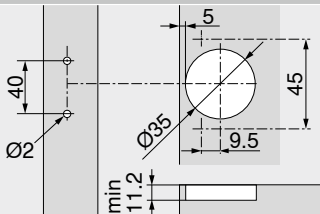
Front weight FG (kg)	Number of hinges
Up to 22	5
Up to 27	6
Up to 32	7

Application is tested with 80.000 opening and closing cycles

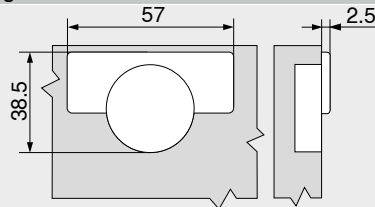
**Adjustment**



**Screw-on**



**Hinge boss dimensions**



**Reference pages**

Overview	73	<b>Assembly, removal and adjustment</b>
Inward opening furniture door	118	
Accessories	159	<b>Short URL</b>
Blum services	602	
More technical details	708	



[www.blum.com/a210](http://www.blum.com/a210)